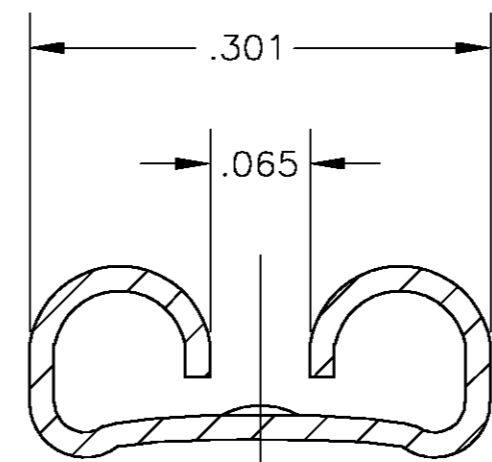
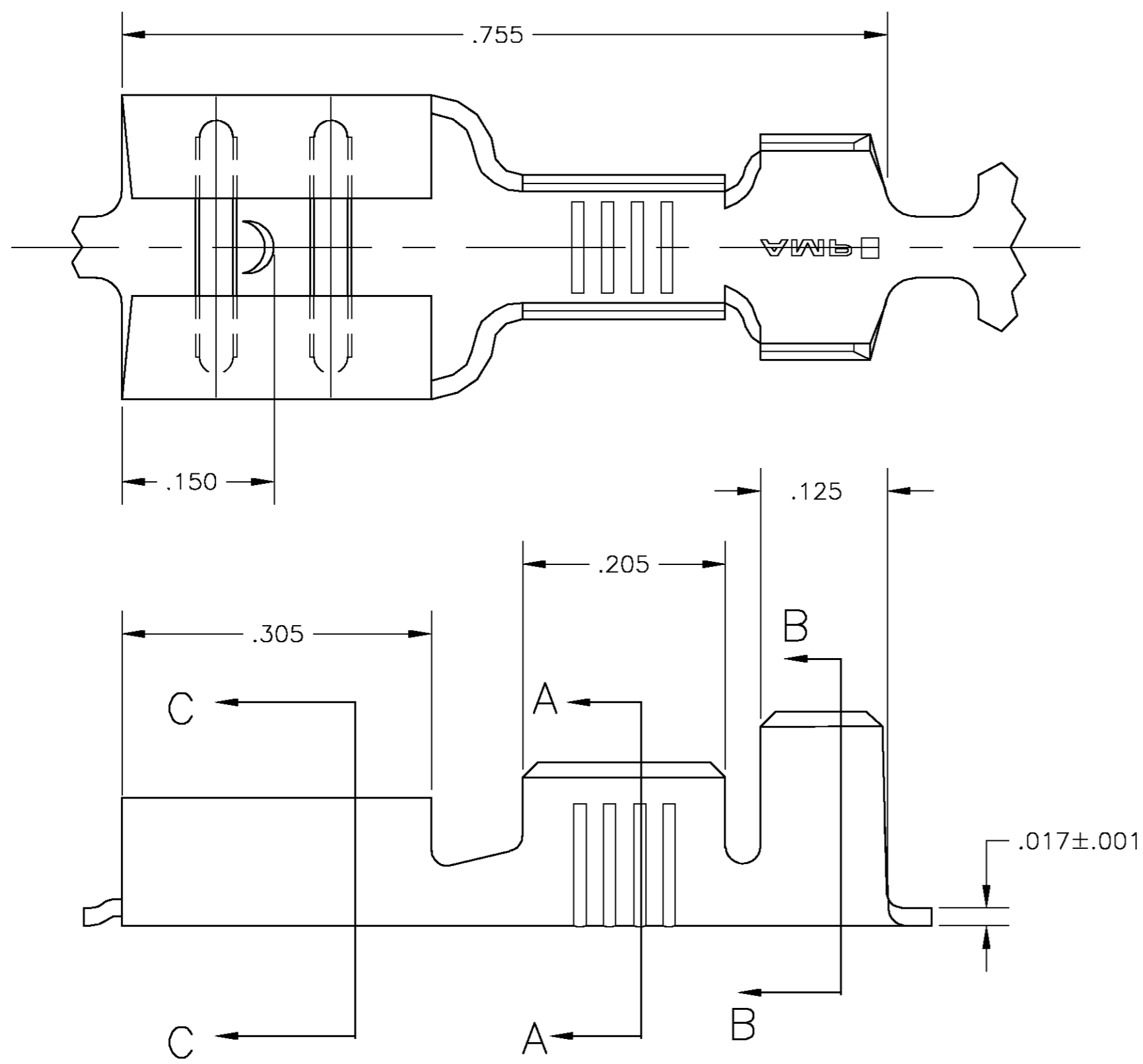
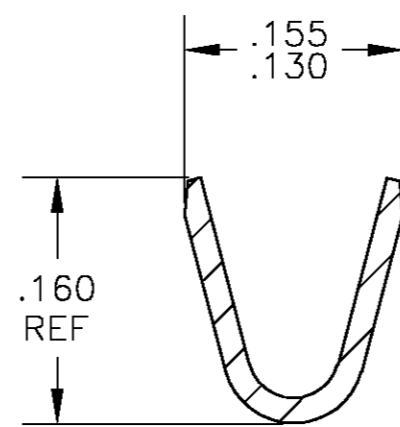


THIS DRAWING IS UNPUBLISHED. RELEASED FOR PUBLICATION
 © COPYRIGHT BY TYCO ELECTRONICS CORPORATION. ALL RIGHTS RESERVED.

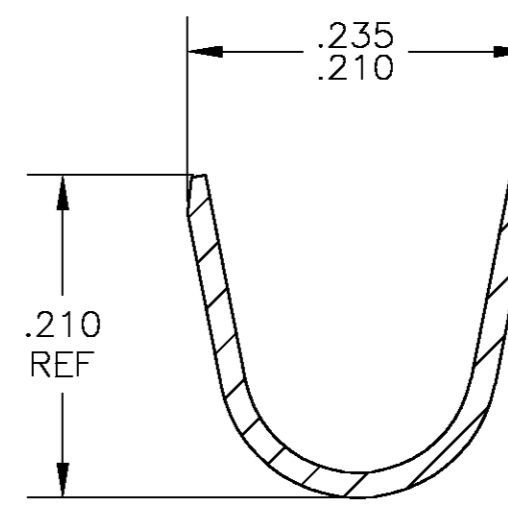
LOC	DIST	REVISIONS			
P	LTR	DESCRIPTION	DATE	DWN	APVD
AF	50	H	REV PER 0G3A-0094-03	04FEB03	JR PD



SECTION C-C



SECTION A-A



SECTION B-B

- 1 CONTINUOUS STRIP ON REELS
- 2 ACCEPTS #18-#14 AWG WIRE SIZE
CRIMP WIDTH, .120, F TYPE
- 3 INSULATION RANGE IS .120-.170 DIA
CRIMP WIDTH, .180, F OR O TYPE
- 4 MATING TAB THK IS $.032 \pm .001$.

61107-1
 PART NO

THIS DRAWING IS A CONTROLLED DOCUMENT.		DWN JR RUTH 24JUN02	Tyco Electronics Corporation Harrisburg, PA 17105																			
DIMENSIONS: INCHES		CHK P DESANTIS 24JUN02																				
TOLERANCES UNLESS OTHERWISE SPECIFIED:		APVD P DESANTIS 24JUN02	NAME RECEPTACLE, FASTON, .250 SERIES																			
<table border="0"> <tr><td>0 PLC</td><td>±</td><td>-</td></tr> <tr><td>1 PLC</td><td>±</td><td>-</td></tr> <tr><td>2 PLC</td><td>±</td><td>-</td></tr> <tr><td>3 PLC</td><td>±</td><td>.010</td></tr> <tr><td>4 PLC</td><td>±</td><td>-</td></tr> <tr><td>ANGLES</td><td>±</td><td>-</td></tr> </table>		0 PLC	±	-	1 PLC	±	-	2 PLC	±	-	3 PLC	±	.010	4 PLC	±	-	ANGLES	±	-	PRODUCT SPEC -	SIZE A2	CAGE CODE 00779
0 PLC	±	-																				
1 PLC	±	-																				
2 PLC	±	-																				
3 PLC	±	.010																				
4 PLC	±	-																				
ANGLES	±	-																				
MATERIAL H04 BRASS		FINISH .000015 MIN SILVER	WEIGHT -	DRAWING NO C=61107																		
		CUSTOMER DRAWING	SCALE 8:1	SHEET 1 OF 1																		
			RESTRICTED TO -	REV H																		